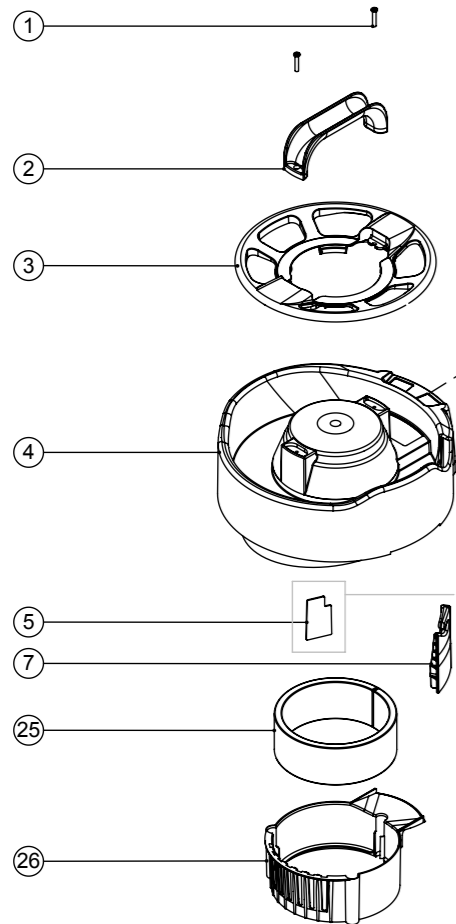
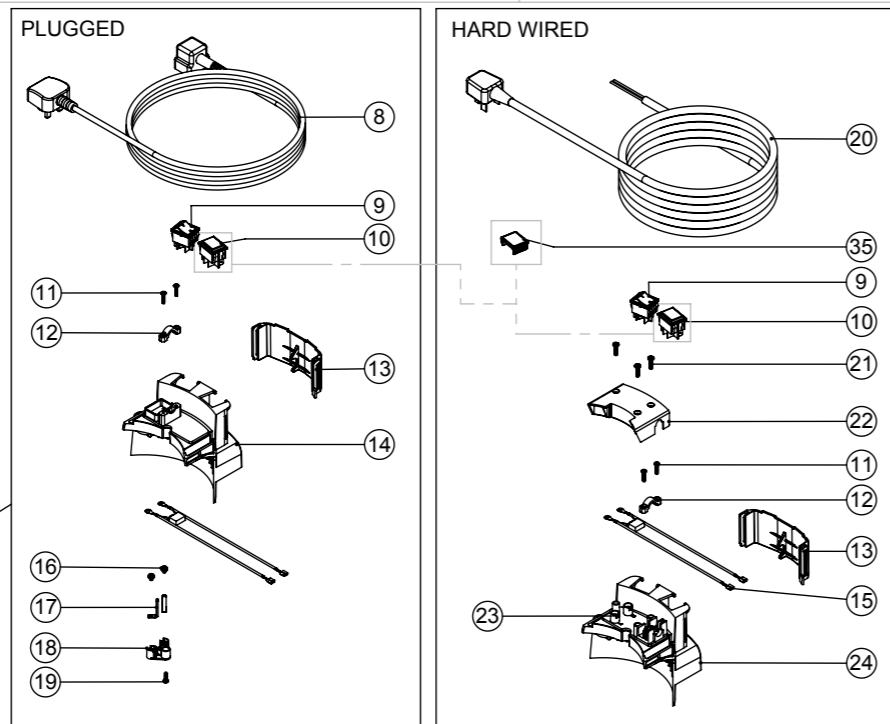


# Numatic International Spare Parts

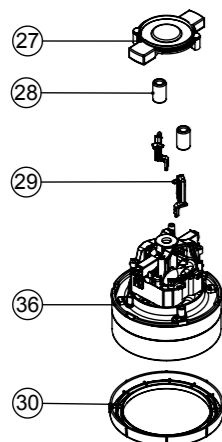
**Model No:** HEAD STYLE 4 ASSEMBLY 1/2 STAGE 1-SPEED EXPLODED

N/A  
DRAWING: DRW-16814 ISS:A09  
09/10/2015

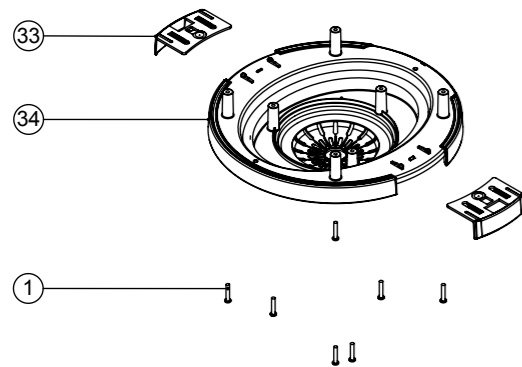
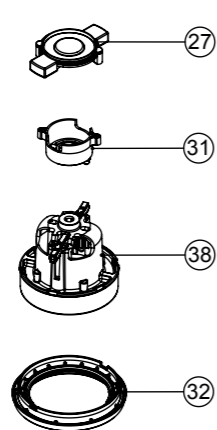
**Models:** JVP, JVH, PSP, PSH, VNP  
(NUV, NVP, NVH (EU))



DT2603T/DT2803T MOTORS



DL1653T/DL1423T MOTORS



# Numatic International Spare Parts

**Model No:** HEAD STYLE 4 ASSEMBLY 1/2 STAGE 1-SPEED EXPLODED

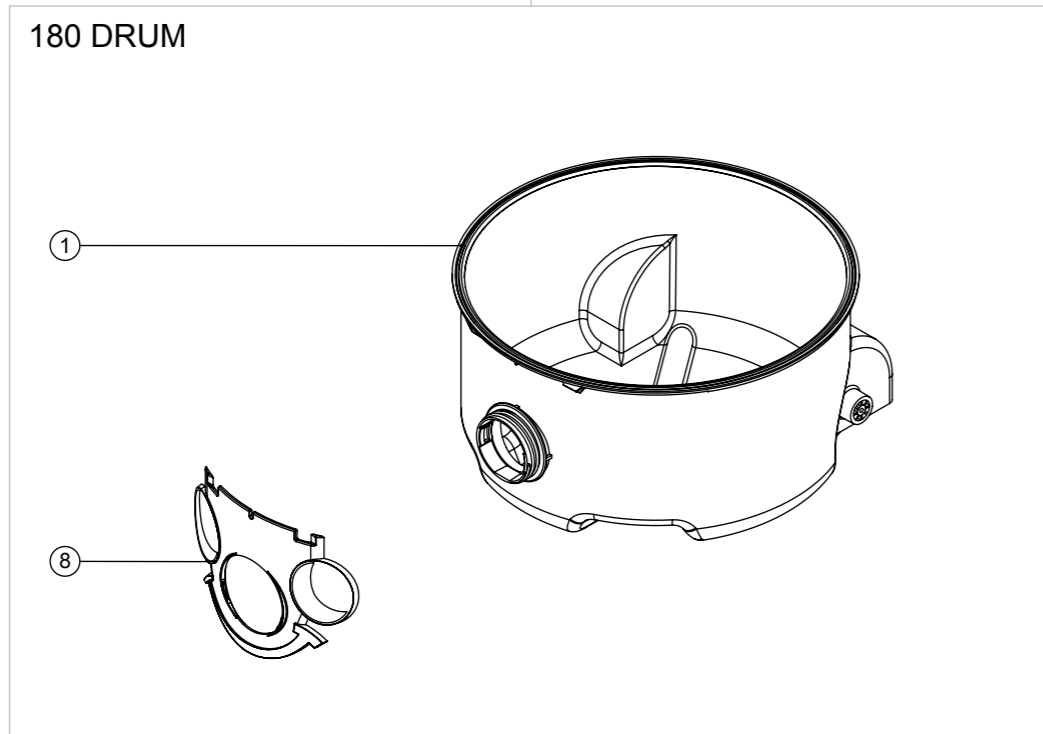
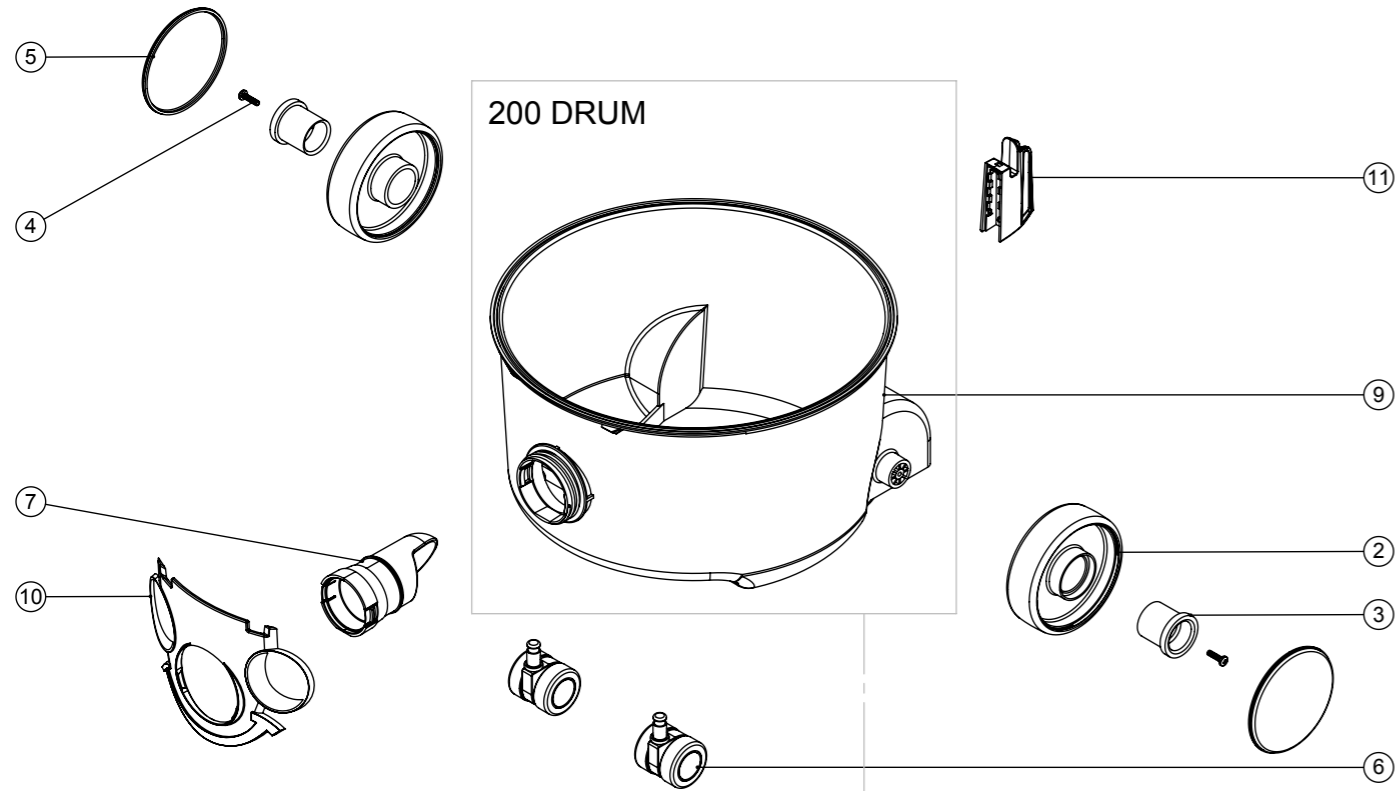
ITEM:	PART No:	Description	QTY.	COMMENTS:
1	291082	#8 SCREW 1" L T20 PAN HEAD P/L THREAD FORMING	9	
2	206451	HANDLE	1	
3	-	NSP / PSP CABLE TIDY (BLACK)	1	CONTACT NUMATIC FOR DETAILS
4	237086	TOP MOTOR HOUSING - JVP/PSP/NPV/NHV	1	
5	208951	NOTCHED PCB BLANKING PLATE	1	USE ITEM 6 WITH DL1653T/DL1423T MOTORS
6	227957	BLANKING PLATE	1	USE ITEM 5 WITH DL2603T/DL12803T MOTORS
7	237079	CABLE EXIT NPV/NHV	1	
8	236009	10.0M X 1.00MM X 2 CORE NUCABLE (UK PLUG)	1	CONTACT NUMATIC FOR MORE DETAILS IF REQUIRED
	236013	10.0MT X 1MM X 2 CORE CABLE (SOCKET + PLUG) EURO	1	
9	220582	GREEN ROCKER SWITCH (WHITE PRINT) 0-1	1	
10	208885	NEON INDICATOR (EVEREL, B71121G000000)	1	
11	219107	No6 X 5/8 INCH LONG POZI PAN PLASTITE SCREW	2	
12	227564	PLUG LOCATION CLAMP	1	
13	229623	SWITCH COVER	1	
14	237076	SWITCH HOUSING PLUGGED	1	
15	230170	SUPPRESSOR WIRE ASSY NPV/NHV	1	
16	219090	M4 X 8MM LONG POZI PAN SEMS SCREW	2	
17	206562	CONTACT PIN	2	
18	325912	NPV / NHV TERMINAL BLOCK PLUS INSERTS	1	
19	219318	No6 X 1/2 INCH LONG POZI PAN PLASTITE SCREW (Z/PL)	1	
20	236033	10.0M X 1.00MM X 2 CORE CABLE (UK PLUG)	1	CONTACT NUMATIC FOR MORE DETAILS IF REQUIRED
	236034	10.0MT X 1.0MM X 2 CORE EURO PLUG	1	
21	219105	No8 X 5/8 INCH LONG POZI PAN PLASTITE SCREW	1	
22	237080	NHV HARDWIRED SWITCH HOUSING COVER (BLACK)	1	
23	219009	M4 BRASS TAPPEX INSERT	1	
24	237077	SWITCH HOUSING HARD-WIRED	1	
25	203020	POD SIDE FELT	1	
26	229621	AIR GUIDE	1	
27	229614	MOTOR PLATE BI -MATERIAL	1	
28	230097	AXIAL FERRITE BEAD	2	NOT REQUIRED WITH DL1653T/DL1423T MOTORS
29	208955	CLIP RETAINER FERRITE BEAD (DL2 MOTOR)	2	
30	237675	MOTOR GASKET 2 STAGE ECO	1	
31	237480	ADAPTOR MOTOR (DL1 603T)	1	
32	237089	BOTTOM MOTOR GASKET - CUP MOTOR	1	
33	229715	TOGGLE (TWIN SHOT)	2	
34	237607	BOTTOM MOTOR HOUSING (TWIN-SHOT)	1	
35	237082	BLANKING PLUG - ROCKER SWITCH	1	FOR NVP/NVH (PSP/PSH STYLE) USE IN PLACE OF ITEM 10
36	205740	230V 2 STAGE 600W ECO THRO FLOW FAN MOTOR (DL2603T) TCO	1	
	205640	230V 2 STAGE 800W ECO THRO FLOW FAN MOTOR (DL2803T) TCO		
38	205840	230V SINGLE STAGE THRO FLOW FAN MOTOR (DL1 653T) TCO (620)	1	
	901792	230V SINGLE STAGE THRO FLOW FAN MOTOR (DL1 423T) TCO (420)		

FOR WIRING DIGRAMS PLEASE SEE DOC-21993 (REFER ONLY TO THE LATEST VERSION) OR NUMATIC WEBSITE

**Numatic International Spare Parts**

**Model No:** DRUM STYLE 1 - EXPLODED DIAGRAM

NA  
DRAWING: DRW-15614 ISS:A01  
23/12/2014



**Numatic International Spare Parts**

**Model No:** DRUM STYLE 1 - EXPLODED DIAGRAM

ITEM:	PART No:	Description	QTY.	COMMENTS:
1	-	180 PARALLEL DRUM	1	CONTACT NUMATIC FOR DETAILS
2	227640	2 SHOT WHEEL ASSEMBLY	2	
3	227868	WHEEL HUB FOR 2 SHOT WHEEL	2	
4	219105	No8 X 5/8 INCH LONG POZI PAN PLASTITE SCREW	2	
5	-	WHEEL TRIM	2	CONTACT NUMATIC FOR DETAILS
6	204000	40MM PU-TYRED BLACK TWIN WHEEL CASTOR	2	
7	237119	FRONT FIT BAG CONNECTOR	1	
8	-	PARALLEL SNAP FIT FACE PRINTED	1	CONTACT NUMATIC FOR DETAILS
9	-	200 DRUM	1	CONTACT NUMATIC FOR DETAILS
10	-	HENRY SNAP FIT FACE	1	CONTACT NUMATIC FOR DETAILS
11	237578	Wand Dock (Eco)	1	

COMPATIBLE FILTER BAGS - SEE DRW-15712 FOR DETAILS		
DESCRIPTION	ITEM NO.	QTY PER PACK.
NVM-1CH HEPAFLO DUST BAGS	604015	10