



Owner Instructions

Original Instructions

Warning! Read instructions before using the machine

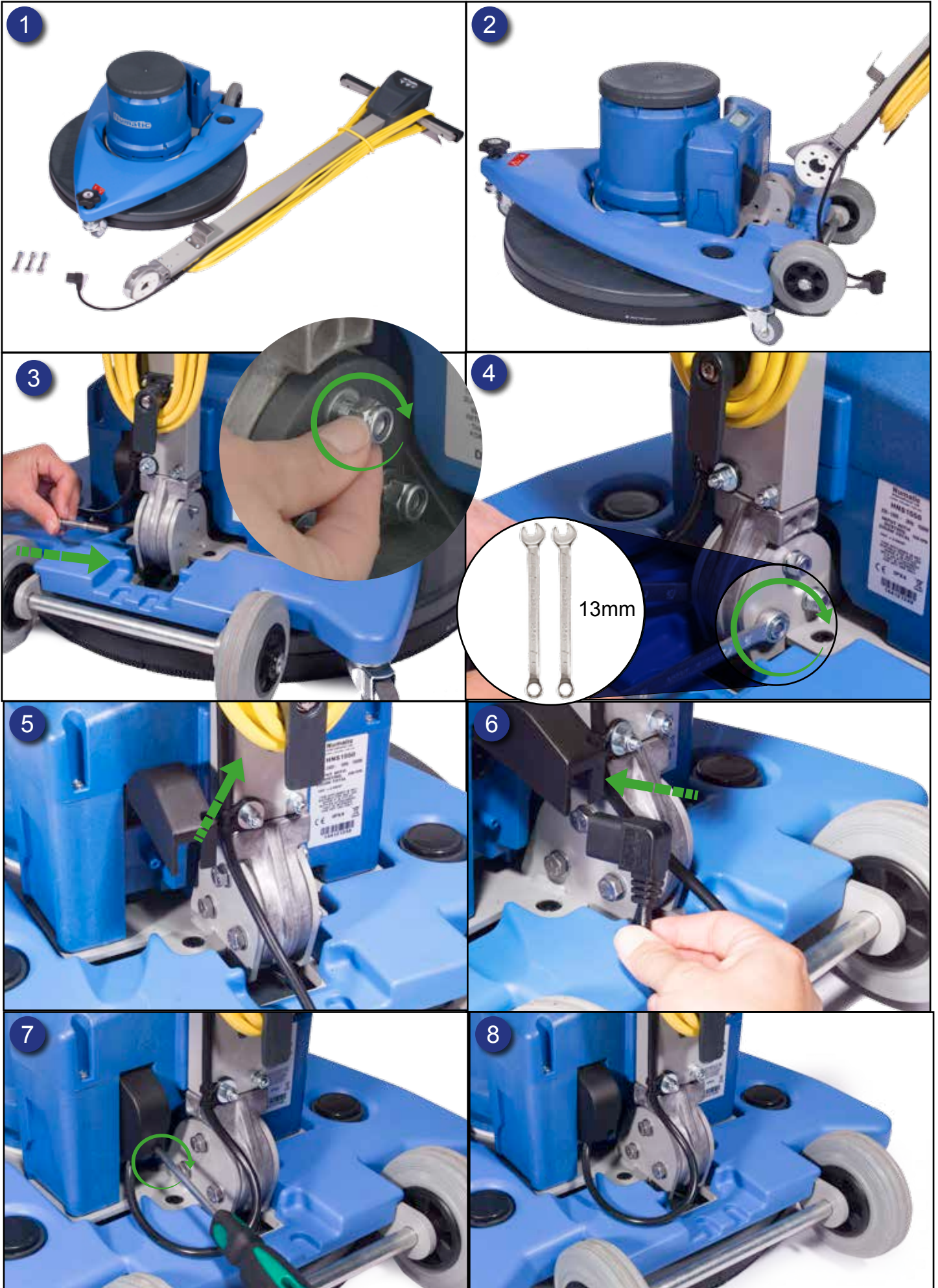
HNS 1550



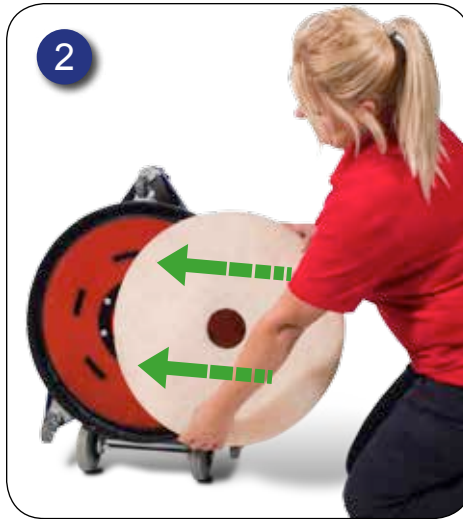
www.numatic.com



Assembling the Machine



Fitting the Pad

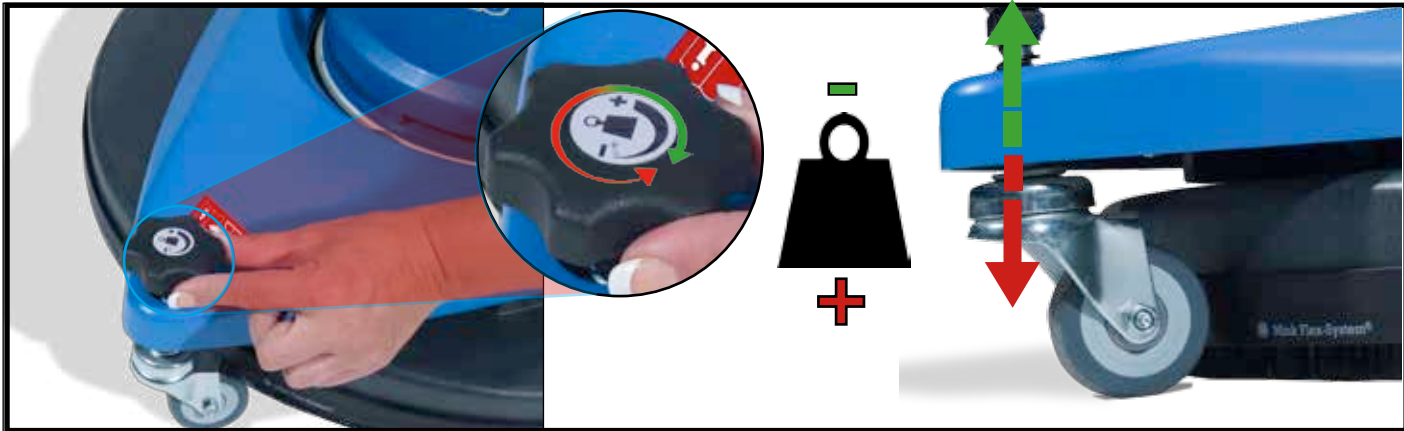


Tipping the Handle





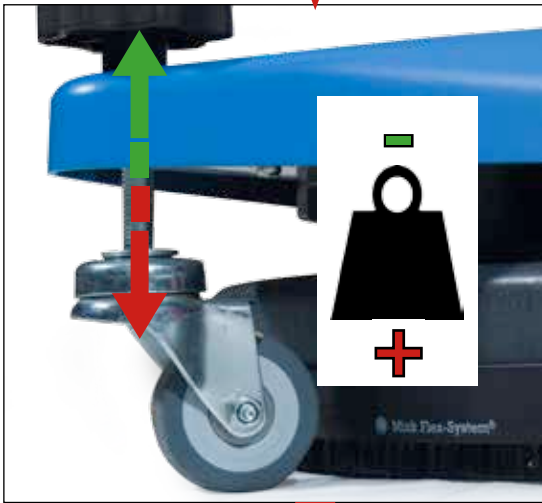
Release Pad pressure BEFORE starting the machine.



Adjust Pad pressure for optimum performance.







Cable Release



Cable Storage





- 1 Company Name & Address
- 2 Voltage Frequency
- 3 Power rating
- 4 Machine Description
- 5 Splash Proof Rating
- 6 WEEE Logo
- 7 CE Mark
- 8 Weight (ready to use)
- 9 Machine yr/wk Serial number



PPE (personal protective equipment) That may be required for certain operations.



Ear Protection



Safety Footwear



Head Protection



Safety Gloves



Eye Protection



Protective Clothing



Dust / Allergens Protection



Hi Viz Jacket



Caution Floorsign

NOTE:

A risk assessment should be conducted to decide what PPE should be worn.

Safety Critical Components

Mains Lead

HO5VV-F x 15M x 3 x 1.5mm²

WEEE Legislation

Floor Machine, accessories and packaging should be sorted for environmentally - friendly recycling

Only for EU countries:

Do not dispose of Floor Machine into household waste!
According to the European Directive 2002/96/EC on Waste Electrical and Electronic Equipment and its incorporation into national law. Floor Machines that are no longer suitable for use must be separately collected and sent for recovery in an environmentally - friendly manner.



Floor Machine Maintenance Guidelines

Daily

- Keep the machine clean.
- Ensure brushes/ pads are in good condition.
- Check for any worn or damaged parts and replace immediately.
- Do not leave your machine standing on brush, pads or drive boards when not in use.

Weekly - as daily and:-

- Regularly examine the power cord.





ORIGINAL INSTRUCTIONS
Read the instruction manual
before using the appliance

Information for Floor Machines



CAUTION

This Product meets the requirements of IEC 60335 - 2-67

Inrush current can cause short-time voltage drops. In unfavourable power supply conditions, other equipment connected to the supply network may be adversely effected. Ensure the supply impedance is less than 0.31 Ohm, to avoid disturbances.

This Machine is also suitable for commercial use, for example in hotels, schools, hospitals, factories, shops, rental businesses and offices.
Care should be taken in the choice of chemicals, detergents and other liquids. Consult your supplier for advice.

This appliance is not intended for use by persons (including children) with reduced physical sensory or mental capabilities, or lack of experience and knowledge. Unless they have been given supervision or instruction concerning the use of the appliance by a person responsible for their safety.

Do's and Don'ts:

- DO Ensure only competent persons unpack/ assemble the machine.
- DO Keep your machine clean.
- DO Keep your brushes in good condition.
- DO Replace any worn or damaged parts immediately.
- DO Daily examine the mains lead for damage, such as cracking or ageing. If damage is found, replace the lead before further use.
- DO Only replace the mains lead with the correct Numatic approved replacement part.
- DO Ensure that the work area is clear of obstructions and/ or people.
- DO Ensure that the working area is well illuminated.
- DO Pre - sweep the area to be cleaned.

- DON'T Use steam cleaners or pressure washers to clean the machine or use in the rain.
- DON'T Attempt machine maintenance or cleaning unless the power plug has been removed from the supply outlet.
- DON'T Allow any inexperienced repairs. Contact your nearest service centre.
- DON'T Strain the mains lead or try to unplug by pulling on the mains lead.
- DON'T Expect the machine to provide trouble free, reliable operation unless maintained correctly.
- DON'T Run the machine over any power cables during operation.
- DON'T Leave your machine standing on brush, pads or drive boards when not in use.

Operators shall be adequately instructed on the use of this machine.



WARNING

This machine shall be disconnected from its power source (Remove plug from socket outlet.) During cleaning or maintenance or in the event of an accident and when replacing parts or converting the machine to another function.

This machine is not suitable for picking up hazardous dust.

Do not allow supply cord to come into contact with the rotating brushes or pads

As with all electrical equipment care and attention must be exercised at all times during its use, in addition to ensuring that routine and preventive maintenance is carried out periodically in order to ensure its safe operation.

Failure to carry out maintenance as necessary, including the replacement of parts to the correct standard could render the equipment unsafe and the manufacturer can accept no responsibility or liability in this respect.

When ordering spare parts always quote the model number / serial number specified on the rating plate.

This machine is for indoor use only.

The machine is not to be used or stored outdoors or in wet conditions.

Don't allow the machine to be used by inexperienced or unauthorised operators or without appropriate training.

Only use brushes provided with the appliance or those specified in the instruction manual.


The use of other brushes may impair safety.

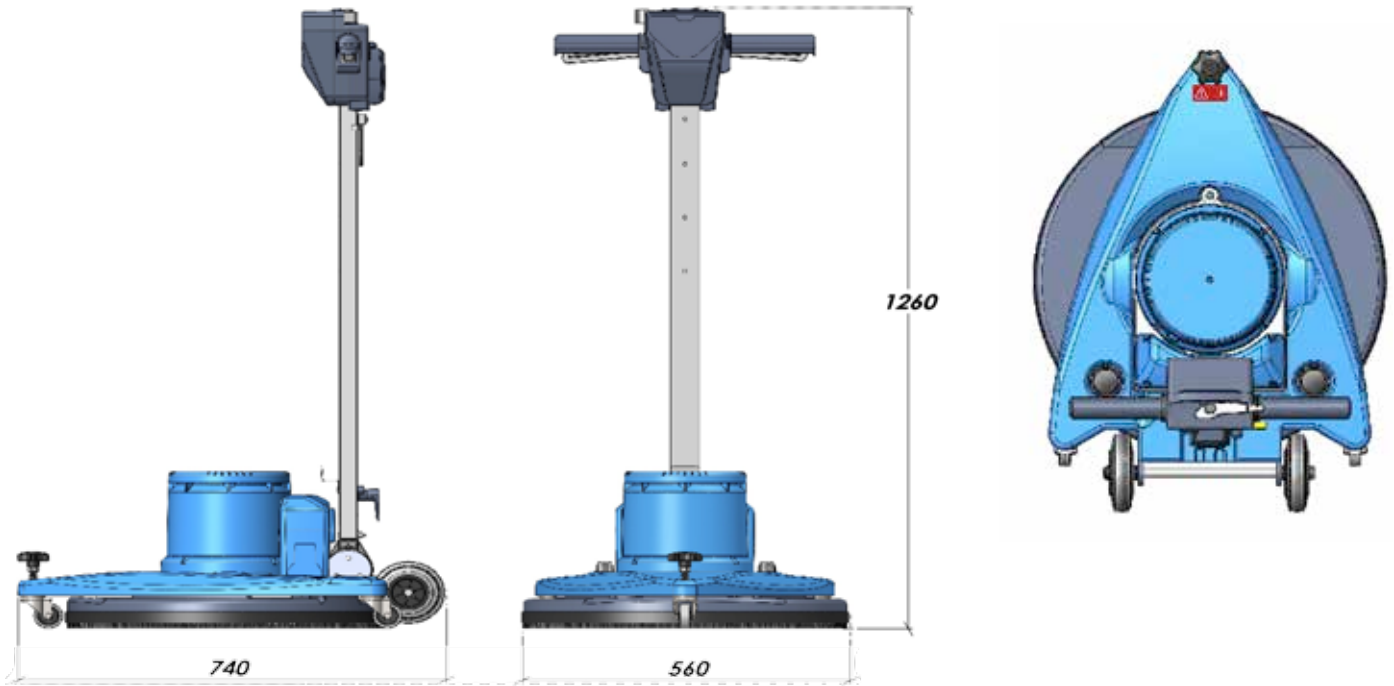
A full range of brushes and accessories are available for this product.

Only use brushes or pads which are suitable for the correct operation of the machine, for the specific task being performed.

It is essential that this equipment is correctly assembled and operated in accordance with current safety regulations.

When using the equipment always ensure that all necessary precautions are taken to guarantee the safety of the operator and any other persons who may be affected.

	Motor	Speed	Pad (18-25mm Thick)	Range	Weight	Sound Pressure	Dimensions
HNS 1550	1500 W	1500 rpm	508 mm	32m	35 Kg	< 70 dB(A)	740 x 560 x 1260 mm
HAV 1.66 M/S ² = Hand Arm Vibration (uncertainty 20%)							



Floor Machines Application Chart

		Scarifying	Stripping	Shampoo	Spray Cleaning	Wet Scrubbing	Dry buffing	Light Spray Buff	Low Gloss Polish	Medium Gloss Polish	High Speed Polish
HNS 1550	1500 W 1500 rpm				✓				✓	✓	✓

Note*

Pads used above and below 18-25mm thickness may limit machine mobility across the work surface!



WARNING

HNS Dustrol Kit 900834 are for dry pick up only **DO NOT** use on wet surfaces.

Important:

Only use the socket outlet on the appliance for Numatic recommended parts.

HNS Floorcare Accessories



900834
HNS
Dustrol Kit

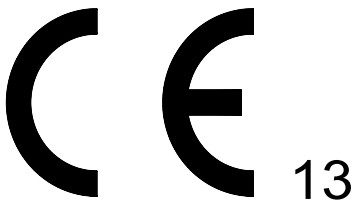


FMA-606250:-
HFM
Dust Fjiter Kit



606325
HFM
Spray Kit

Declaration of Conformity



EU DECLARATION OF CONFORMITY

We hereby declare under our sole responsibility that the following equipment fulfils all the relevant provisions of the following EU Directives:

Machinery Directive 2006/42/EC

EMC Directive 2004/108/EC

RoHS Directive 2011/65/EU

Machine Description: **Floor Machine**
Type: HFM, HFS, HFT HNS series

Manufactured by: **Numatic International Limited**

Relevant standards upon which conformity is declared include:

IEC 60335-1 2010 + National Deviations
IEC 60335- 2-67 2012

EN 55014-1:2006+A2:2011
BS EN 55014-2:1997+A2:2008
BS EN 61000-3-2:2006+A2:2009
BS EN 61000-3-3:2008
EN 62233:2008

A technical construction file for this equipment is retained at the manufacturer's address under the authorisation of the following signatory:

Name: Allyn Boyes **Position: Technical Manager**

Signed:

Date: 01 /01/2013



Numatic International Limited,
Chard , Somerset.
TA20 2GB
www.numatic.co.uk

GB

Numatic International *Warranty*

Numatic International Limited warrant to the original purchaser that its products are free of defects in both material or workmanship for the period shown below:-

Homecare and Cleancare Vacuum cleaners.....	2 Years
Rotary Floor Machines.....	2 Years
Twintec Auto Scrubber Dryer.....	1 Year
Vario Ride-On Scrubber Dryer.....	1 Year / 1500 hours
Mopping, Compacts, Combi and Servocare Products.....	1 Year
Individual Accessories and Spare Parts.....	6 Months

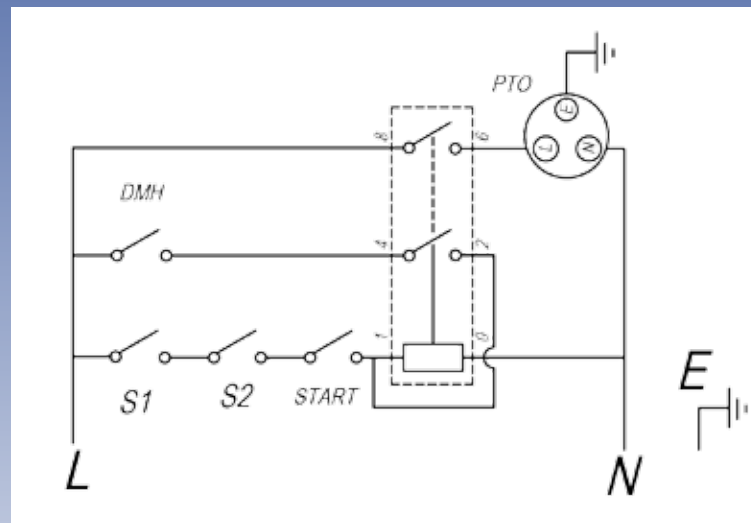
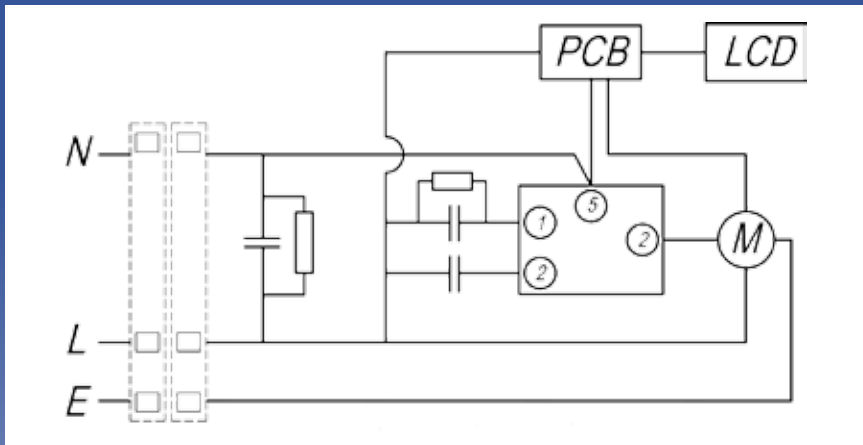
Note: This warranty expressly excludes consumable parts such as carbon brushes, floor brushes, mops, batteries etc, that are considered replaceable from time to time during the normal working life of the machine.

- A. The warranty period commences from the date the goods are purchased.
- B. All warranty claims must be processed through the Dealer from whom the equipment was purchased. The Dealer will co-operate with the purchaser throughout the warranty claims procedure and will arrange any necessary repairs using genuine Numatic parts.
- C. If the original Dealer is no longer able to fulfil his obligations please contact Numatic International Limited with full details of the claim and proof of purchase so that this may be processed without delay.
- D. Any warranty claim can only relate to the specific part that is proven to be at fault and for which a replacement will be supplied but cannot be extended to constitute a claim against the complete machine.
- E. Numatic International will supply the Dealer with any warranty parts required, subject to the claim being validated, after return of the faulty items in accordance with Numatic International Limited's General Conditions of Sale.
- F. Claims will not be accepted if they are the result of fair wear and tear, misuse or abuse of any kind.
- G. No replacement will be given unless the appropriate evidence of the validity of the claim has been provided to the satisfaction of Numatic International Limited.
- H. Numatic International Limited reserve the right to charge for any unnecessary work carried out as a result of an invalid claim.
- I. No variation to this warranty may be made or implied by any member of Numatic International Limited or its Dealers unless such variation is in writing and authorised by the Company



Numatic International Limited. Chard, Somerset, TA20 2GB
Telephone: 01460 68600 Fax: 01460 68458

© Numatic International Limited



Numatic International Limited, Chard, Somerset, TA20 2GB, ENGLAND.

Telephone 01460 68600 Fax: 01460 68458

www.numatic.co.uk



Numatic International GmbH, Fränkische Straße 15-19,
30455 Hannover, DEUTSCHLAND.

Tel: 05 11 98 42 16 0 Fax: 05 11 98 42 16 20

www.numatic.de



Numatic International S.A.S, 13/17 rue du Valengelier, EAE la Tuilerie, 77500
Chelles, FRANCE. Tel: 01 64 72 61 61 Fax: 01 64 72 61 62

www.numatic.fr



BenNeLux Distribution, Numatic International BV, Postbus 101, 2400 AC
Alphen den Rijn, NEDERLAND. Tel: 0172 467 999 Fax : 0172 467 970

www.numatic.nl



Numatic International (Pty.) Ltd. 16th & Pharmaceutical Roads,
Midrand, Gauteng, S.A. 1685. Tel: 0861 686 284 Fax: 0861 686 329

www.numatic.co.za



Numatic International Schweiz AG. Sihlbruggstrasse 142,
6340 Baar. SCHWEIZ. Tel: 0041 (0) 41 76 80 76 - 0.

Fax: 0041 (0) 41 76 80 76 - 9.

www.numatic.ch